

## ML725 Paper Towel Dispenser



\*ML725SS



\*ML725W



\*DESIGNER\_ML725

### Material Specifications

- #304 Stainless Steel

### Mounting

- Surface Mount Concealed Fix

### Dimensions

- 282mmW x 376mmH x 104mmD

### Finish

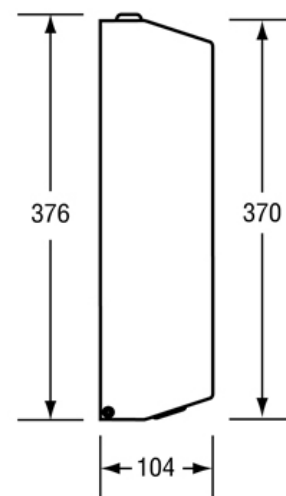
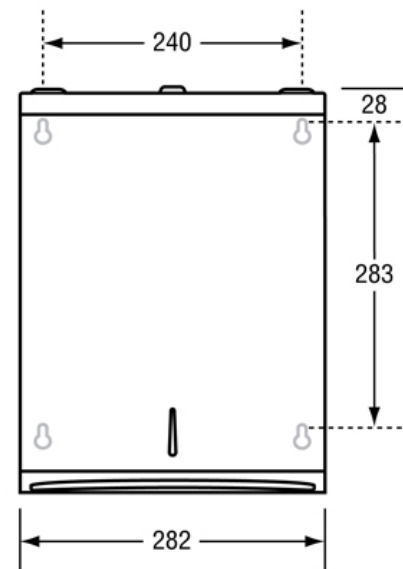
- ML725SS:** Satin Stainless Steel
- ML725W:** White Powder Coat
- DESIGNER\_ML725:** Matte Black Power Coated Steel

### Installation Guidelines

- May be subject to Australian Building Code Regulations for height and location fixing and may be subject to placement as per architectural drawings. In all cases, this is the responsibility of the installer.
  - Fixings and anchors are not included with the units and are the responsibility of the installer to appropriately fix the unit to the wall.
- Determine appropriate height and location by using the internal located fixing holes.
  - Mark and drill holes into the wall, fit anchors if necessary.
  - Fasten unit to the wall with appropriate fixings.
  - Test the open/close mechanism for ease of operation to complete installation.

### Features

- Paper Type: 450 C-fold paper towels or 600 Multi-fold paper towels
- Unit fitted with tumbler lock
- Front View Paper Indicator





This product is AS1428.1 compliant (accessible compliant) when installed in accordance with the guidelines.

*The technical recommendations contained in this document are necessarily of a general nature and should not be relied on for specific applications without first securing competent advice. Whilst Metlam Australia Pty Ltd has taken all reasonable steps to ensure the information contained herein is accurate and current, it does not warrant the accuracy or completeness of the information and does not accept liability for errors or omissions. Any Commercial product should only be installed by a competent tradesperson and serviced/maintained by knowledgeable janitorial staff or competent people. Metlam Australia accepts no responsibility for any damage to product, walls or fixtures due to incorrect installation or maintenance of any of their products.*

The photographs and line drawings of the products presented above are representational only.  
Metlam Australia Pty Ltd reserves the right to, and from time to time, make changes and improvements in design and dimensions.